

4

3

2

1

F

F

E

E

D

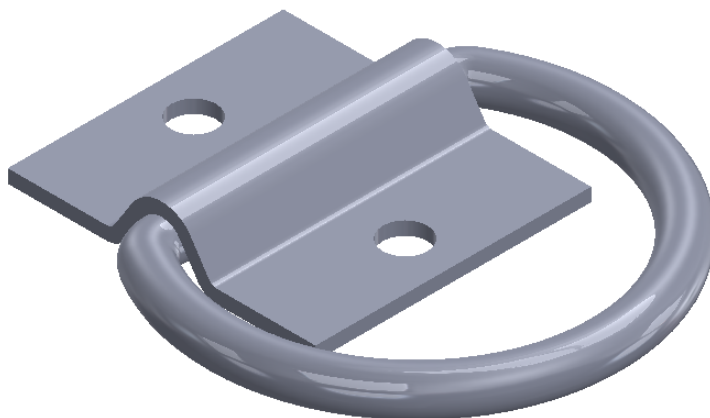
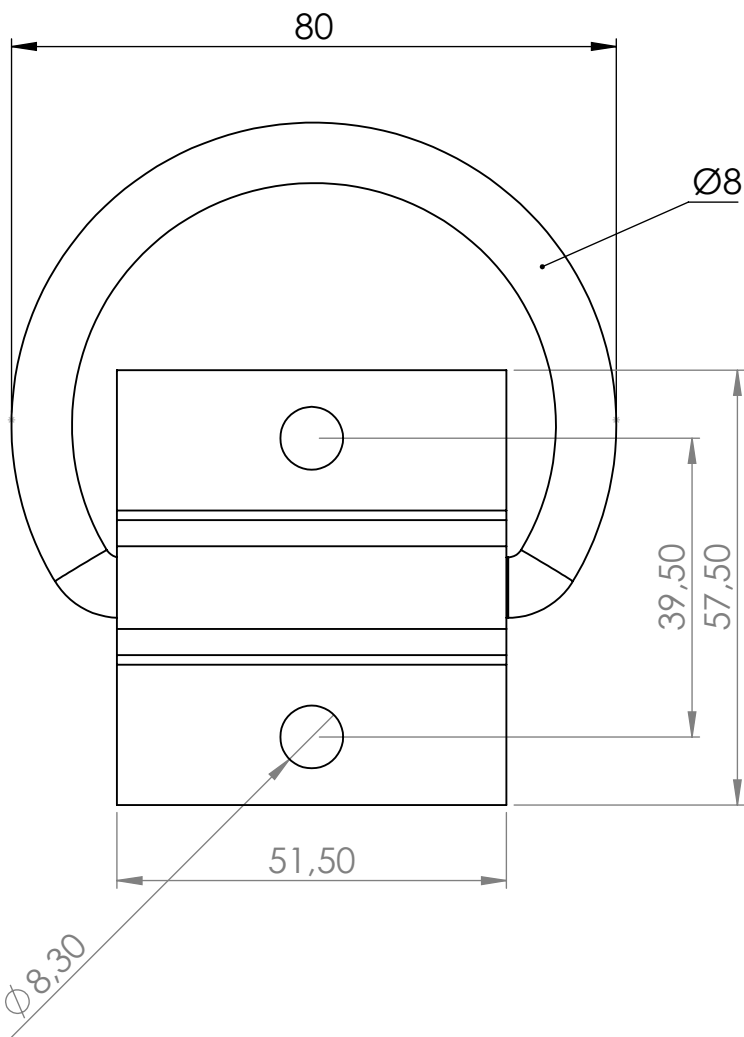
D

C

C

B

B



FINISH:
Zinc plated

DEBURR AND
BREAK SHARP
EDGES

REVISION
OJOP Sweden AB

	NAME	SIGNATURE	DATE	
DRAWN	RR		4/10 - 17	
CHK'D	PR		5/10 - 17	
APPV'D	XXXX		XXXX	
MFG	XXXX		XXXX	
A	Q.A		XXXX	

TITLE:
02043 - Tie-Down Loop U-262

DWG NO.
02043 - Tie-Down Loop U-262

A4

SCALE:1:1

SHEET 1 OF 1

4

3

2

1

A

A