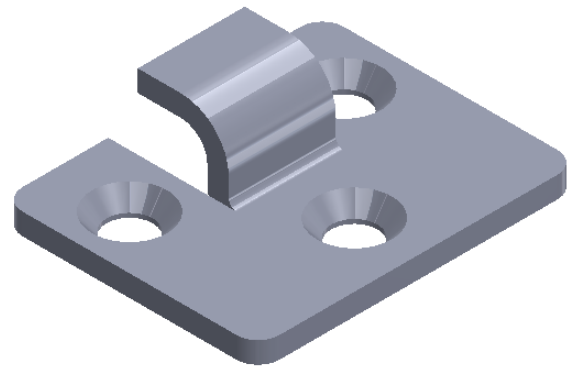
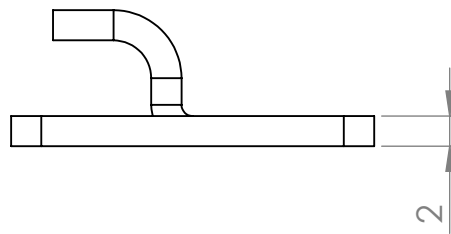


SECTION A-A



FINISH: Untreated

DEBURR AND BREAK SHARP EDGES

REVISION

OJOP Sweden AB

| | NAME | SIGNATURE | DATE |
|--------|------|-----------|-----------|
| DRAWN | RR | | 29/5 - 17 |
| CHKD | PR | | 18/8 - 17 |
| APPV'D | XXXX | | XXXX |
| MFG | XXXX | | XXXX |
| Q.A | XXXX | | XXXX |

TITLE: **54413 - Striker 15 C Stainless**

MATERIAL: SS 2343

DWG NO. 54413 - Striker 15 C Stainless

A4

WEIGHT: 0,010 KG

SCALE:2:1

SHEET 1 OF 1