

4

3

2

1

F

F

E

E

D

D

C

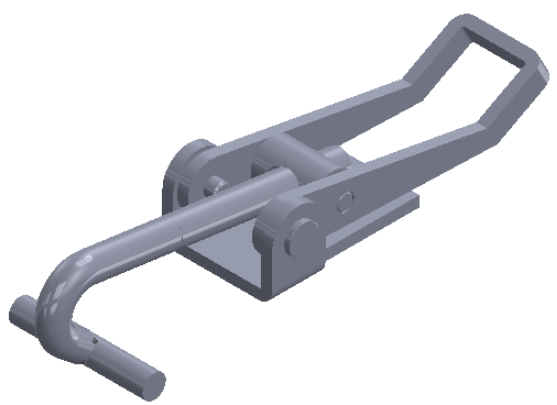
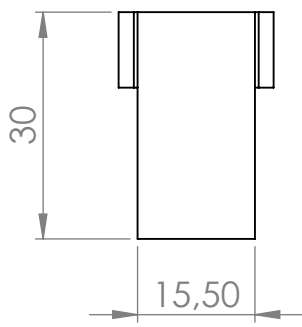
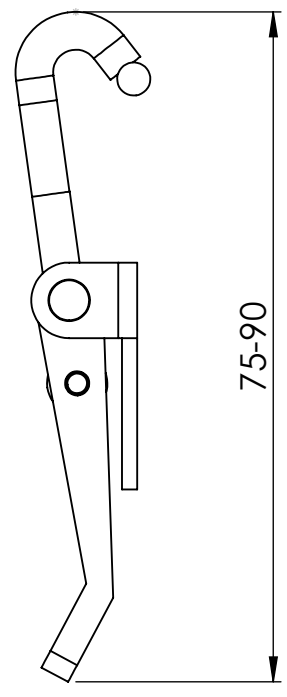
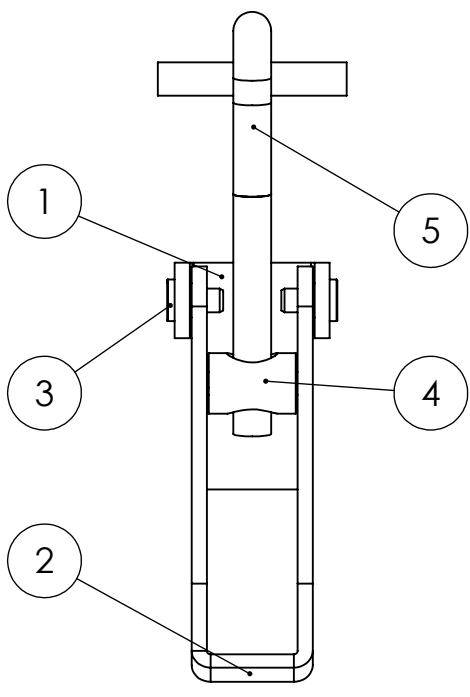
C

B

B

A

A



ITEM NO.	PART NUMBER	QTY.
1	701 - Baseplate SA	1
2	701 - Bracket	1
3	701 - Rivet	2
4	701 - Mid cylinder	1
5	Bent T-Screw	1



FINISH: Untreated

DEBURR AND BREAK SHARP EDGES

REVISION
OJOP Sweden AB

NAME	SIGNATURE	DATE
DRAWN RR		5/5 - 17
CHK'D PR		30/8 - 17
APPV'D XXXX		XXXX
MFG XXXX		XXXX
Q.A XXXX		XXXX

TITLE: 520001 - 701 BT SA

DWG NO. 520001 - 701 BT SA

A4

WEIGHT: 0,036 KG

SCALE:1:1

SHEET 1 OF 1

4

3

2

1