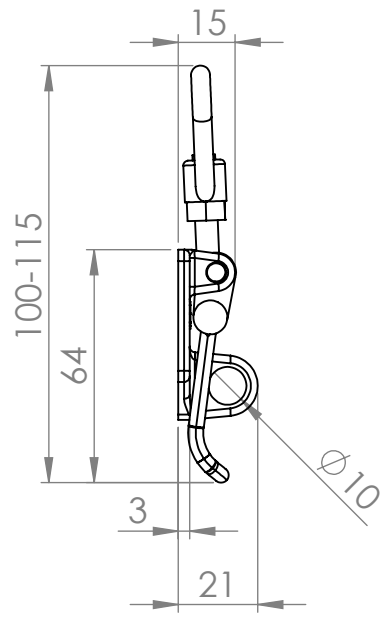
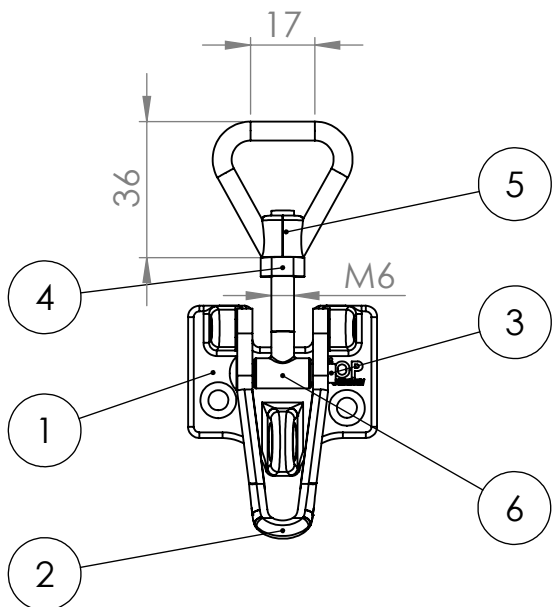


4 3 2 1

F

F

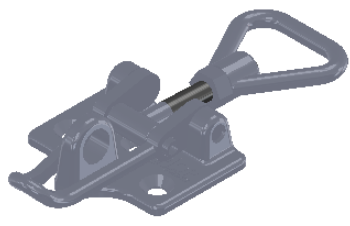
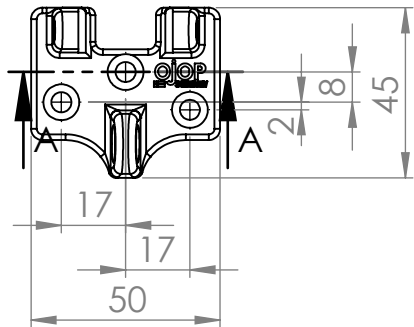


E

E

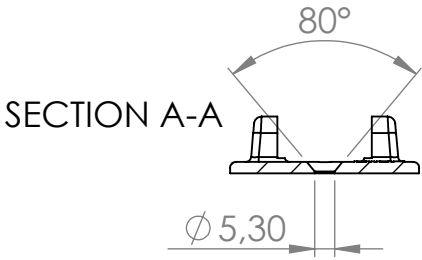
D

D



C

C



ITEM NO.	PART NUMBER	DESCRIPTION	QTY.
1	713431	Baseplate 202 C ZP	1
2	711111	Bracket 2 ZP	1
3	61220	Rivet 5x26 ZP	1
4	61011	Nut M6x10x5 ISO4032 ZP	1
5	710111	Loop 2 ZP	1
6	611201	Adjustment screw M6x47 ZP	1

B

B



FINISH: Zinc Plated

DEBURR AND BREAK SHARP EDGES

REVISION

OJOP Sweden AB

NAME	SIGNATURE	DATE
DRAWN RR		31/5 - 17
CHK'D PR		22/8 - 17
APPV'D XXXX		XXXX
MFG XXXX		XXXX
Q.A XXXX		XXXX

TITLE:	51041 - 202 C ZP	
DWG NO.	51041 - 202 C ZP	A4
MATERIAL:	Forged SS 2172	
WEIGHT:	0,111 KG	SCALE:1:2
		SHEET 1 OF 1

A

A

4 3 2 1